

# Plunger Pumps

## FEATURING

**MANIFOLD:** High strength 316L Stainless Steel to insure long term use.

**BOLTS:** 304L stainless steel.

**PLUNGERS:** A special ultra thick solid ceramic for long life, strong durability and more resilience.

**CRANKCASE:** Precision die-cast, large cooling fins and special anticorrosion finish. Both side and rear cover sight glass.

**BEARINGS:** Premium SKF tapered roller bearings that provide extra load support, smoother and lower crankcase running temperatures and over all extended pump life.

**VALVES, SEATS, AND SPRINGS:** Stainless steel with specially designed cages to provide seating and extended valve life.

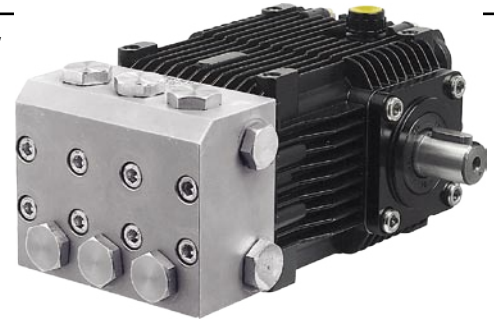
**SEALS AND V-PACKINGS:** Viton are continuously lubricating for extended life. SPL plunger retainers.

**OIL SEALS:** Triple lipped and spring loaded for greater durability and extended life..

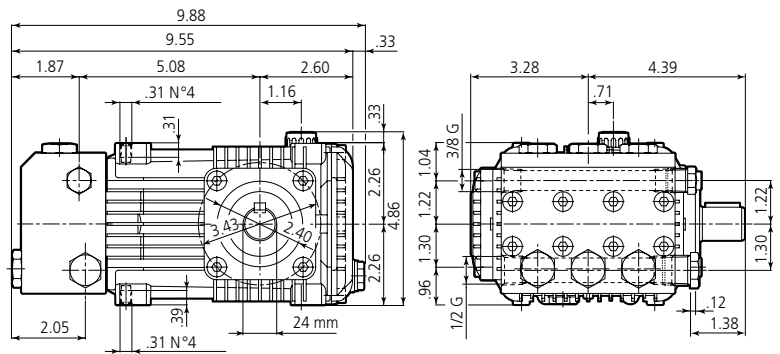
**PLUNGER RODS:** High strength stainless steel.

**CONNECTING RODS:** One piece special alloy bronze for higher pressures, oversized for maximum strength, load disbursement, and long life. Heavy pin area construction.

## DIMENSIONS



RK-SS N version Solid shaft pump ø 24 mm



## SPECIFICATIONS

MODEL	MAX GPM	MAX LMP	MAX PSI	MAX BAR	POWER EBHP	BORE DIA MM	STROKE MM	CRANKSHAFT ID STAMP	WEIGHT LBS.
RK-SS11.11N	2.9	11	1600	110	3.0	18	10.8	5	22
RK-SS13.17N	3.43	13	2500	170	5.5	18	12.8	3	22
RK-SS15.15N	3.96	15	2200	150	5.5	18	14.6	1	22

Oil Capacity = 15.3 oz

Maximum Fluid Temperature = 140° F

Inlet Thread = 1/2" F

Discharge Thread = 3/8" F

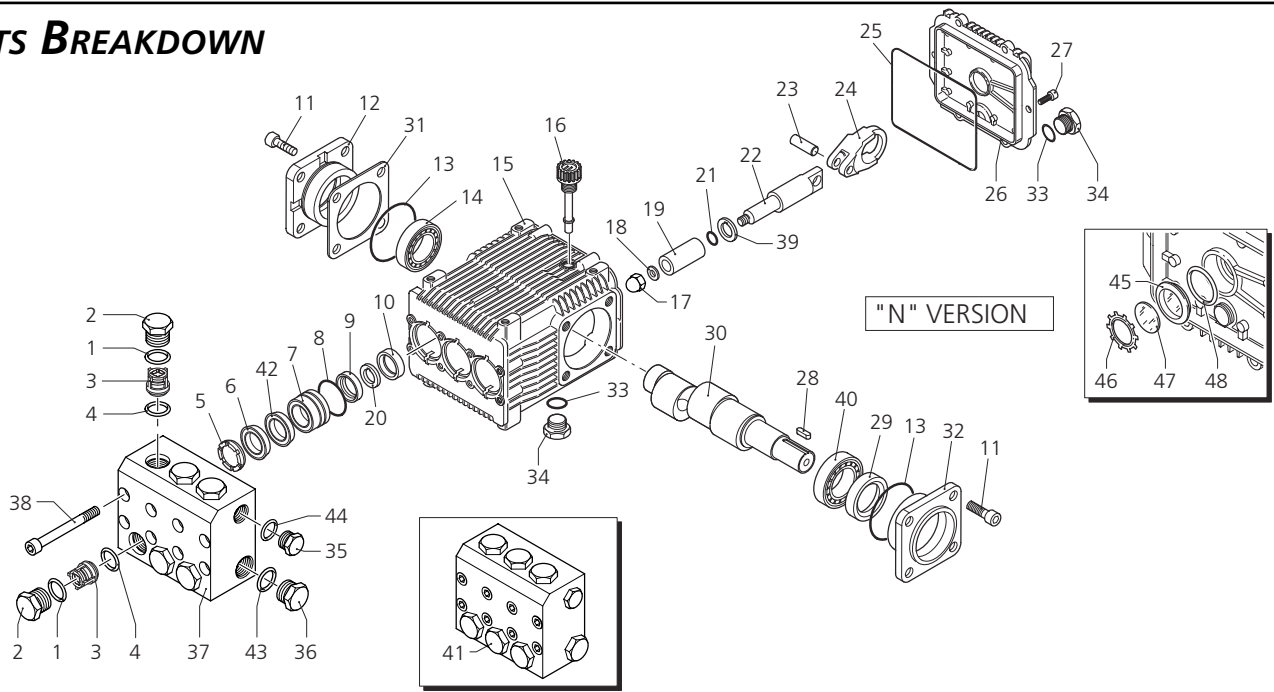
### Torque Specifications Inch pounds (ft. lbs)

HEAD	PISTON NUT	REAR COVER	SIDE COVER	VALVE CAP	CON RODS
177 (15)	89 (7.5)	62 (5.2)	177 (15)	442 (37)	N/A

**SPECIAL NOTE:** Use AR64516 Oil. First change oil after 50 hours of use. Then every 500 hours. This oil is specially formulated to provide correct lubrication properties for our pumps. **No** other oil is factory approved for these pumps.



**PARTS BREAKDOWN**



Pos.	Code	Description	Qty.	Pos.	Code	Description	Qty.	Legend			
1	960161	O-Ring	6	36	2340040	Plug NPT	1	Ø 18	Ø 18	Ø 18	
2	2340030	Plug	6		2340360	Plug G	1	For ○	For □	For ▼	
3	2349050	Complete valve	6	37	2340020	Pump head NPT	1	RKSS11.11	RKSS13.17	RKSS15.15	
4	880831	O-Ring	6		2340370	Pump head G	1				
5	960110	Support ring	3	38	1383440	Screw	8				
6	880321	Gasket	3	39	2340190	Spacer	3				
7	2340140	Piston guide	3	40	840370	Bearing	1				
8	961241	O-Ring	3	41	2349200	Pump head assembly NPT	1				
9	880331	Gasket	3		2349203	Pump head assembly G	1				
10	1383130	Seal	3	42	2340310	Back-up ring	3				
11	2340240	Screw	4	43	180102	O-Ring	1				
12	2349011	Complete side cover	1	44	740291	O-Ring	1				
13	640030	O-Ring	1	45	1260250	Oil indicator	1				
14	2280240	Bearing	1	46	1260430	Snap ring	1				
15	2340260	Pump housing	1	47	1780690	Disc	1				
16	880130	Oil cap	1	48	1140450	O-Ring	1				
17	2340060	Nut	3								
18	2340200	Washer	3								
19	1383230	Ceramic piston	3								
20	2340110	Spacer	3								
21	480482	O-Ring	3								
22	2340070	Guiding piston	3								
23	1380060	Piston pin	3								
24	1383020	Bronze con rod	3								
25	1780510	O-Ring	1								
26	2349010	Complete cover	1								
27	2340250	Screw	6								
28	1380520	Key	1								
29	180340	Seal	1								
30	2280100	Crankshaft	○ 1								
31	2280080	Crankshaft	□ 1								
	2280060	Crankshaft	▼ 1								
	1382810	0,05 mm shim	1-3								
	1380120	0,10 mm shim	1-3								
	1380130	0,20 mm shim	1-3								
	1380530	0,25 mm shim	1-3								
32	2340280	Open bearing support	1								
33	740290	O-Ring	2								
34	2340350	Plug 3/8" G	2								
35	2340050	Plug NPT	1								
	2340350	Plug G	1								

**Repair Kits**

Water Seal Kit 2516		Pistons Kit 2552		Valve Kit 2514		Oil Seals Kit 2529	
Pos.	Qty.	Pos.	Qty.	Pos.	Qty.	Pos.	Qty.
6	3	17	3	3	6	10	3
8	3	18	3	4	6	13	2
9	3	19	3			25	1
42	3	20	3			29	1
		21	3				
		39	3				

Support Rings Kit 1829

Pos.	Qty.
5	3

